

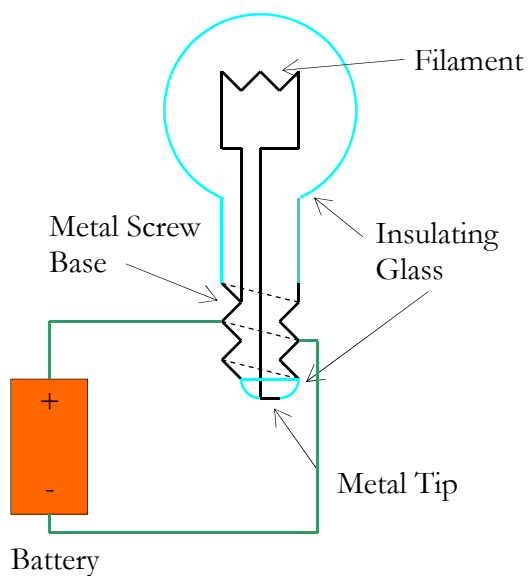
Physics 122
Chapter 18 Problem Assignment

Questions from the text 9, 13, 18

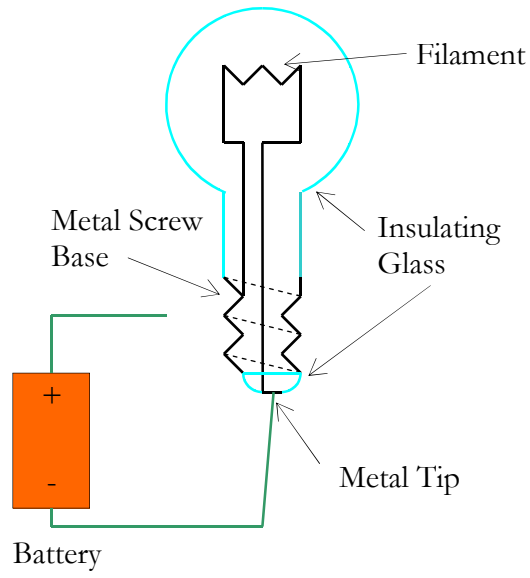
Problems from the text 4, 7, 11, 12, 20, 22, 28, 34, 40, 49, 63, 68

Additional Problem

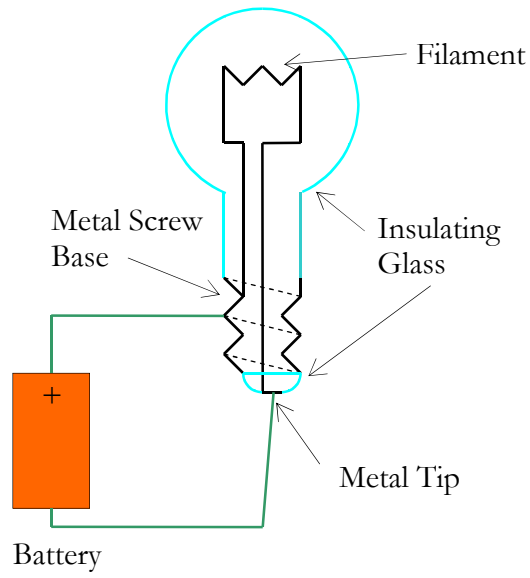
A1 In which of the circuits shown below will the light bulb light up?



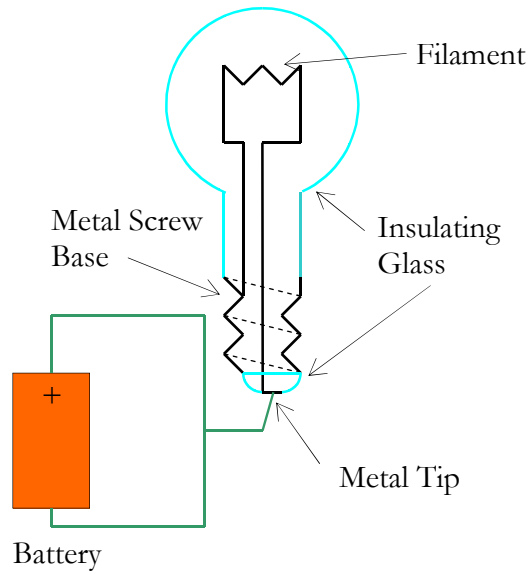
Circuit A



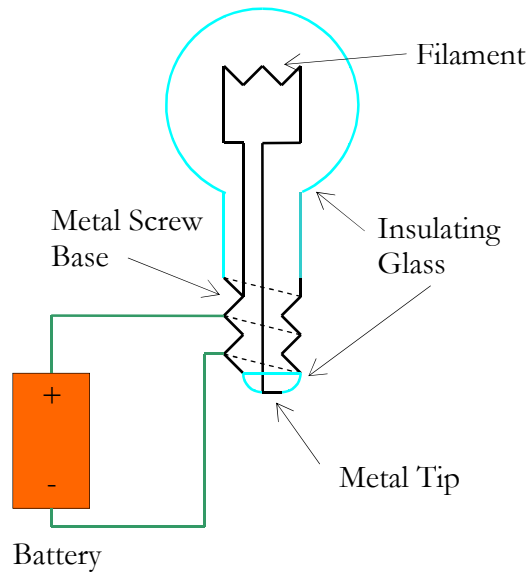
Circuit B



Circuit C



Circuit D



Circuit E